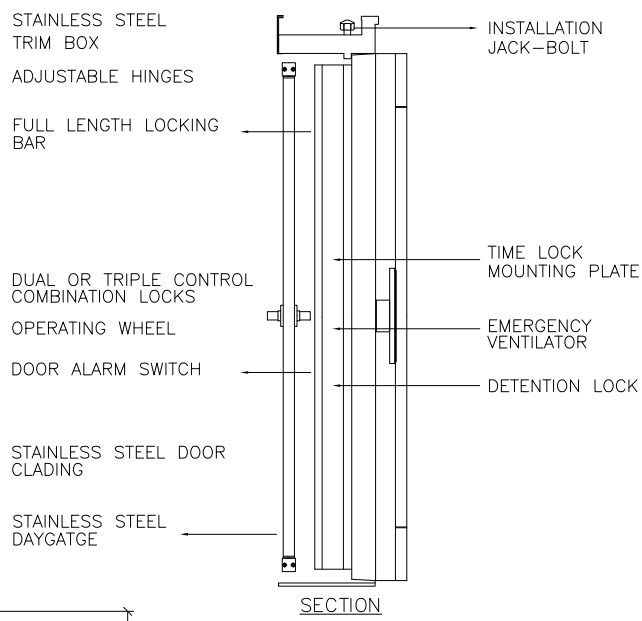
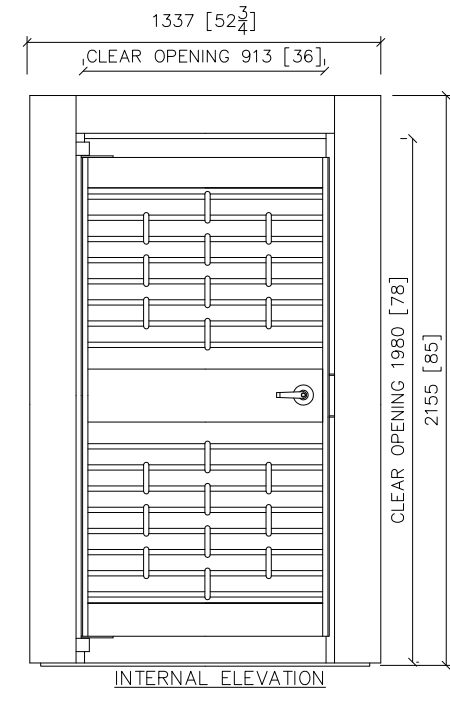


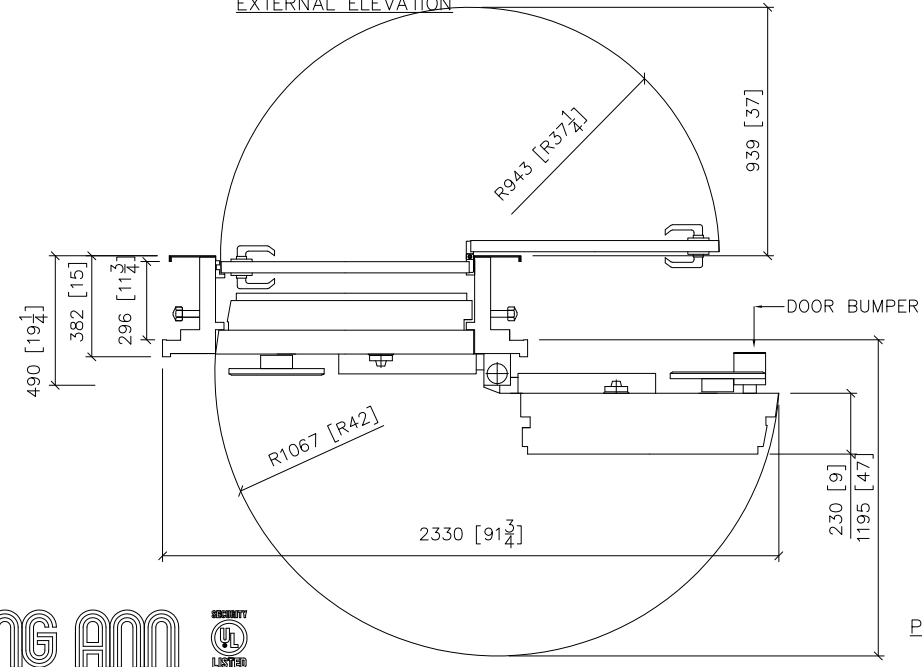
EXTERNAL ELEVATION



SECTION



INTERNAL ELEVATION



PLAN VIEW

SPECIFICATIONS:

- UL LISTED:
UL CLASS 1 LISTED VAULT DOOR.
- TIME LOCK(OPTION):
UL LISTED THREE MOVEMENT ANTI-SHOCK TIME LOCK WITH EMERGENCY RELEASE.
- EMERGENCY VENTILATOR:
EMERGENCY VENTILATOR .
- LOCKS:
UL LISTED GROUP 1, 4-Wheel COMBINATION LOCKS.
(STANDARD) DUAL CONTROL COMBINATION LOCKS SYSTEM .
(OPTION) TRIPLE CONTROL COMBINATION LOCKS SYSTEM.
- SURFACE:
ALL EXPOSED METAL SURFACE ARE FINISH IN GLEAMING STAINLESS STEEL INCLUDING THE MASSIVE FULL LENGTH LOCKING BAR. DOOR EDGE AND JAMB AREA.
- WEIGHT: 1320Kg (2910 LBS)



REVISION	DATE	DESCRIPTION	DRAWN BY	DESIGNED BY	SCALE	PROJECT	DRAWING NAME	PROJECT No.	DRAWING No.
-	-	-	EMMA	-	NIL	-	CLASSIC VAULT DOOR	-	-
			CHECKED BY	APPROVAL	DATE		UL CLASS 1 RIGHT SWING		GU-010102
			-	-	2008-2-19				